

613 M

SENEBOGEN



613E

Grue télescopique de chantier mobile



92 kW



16 t



24 m



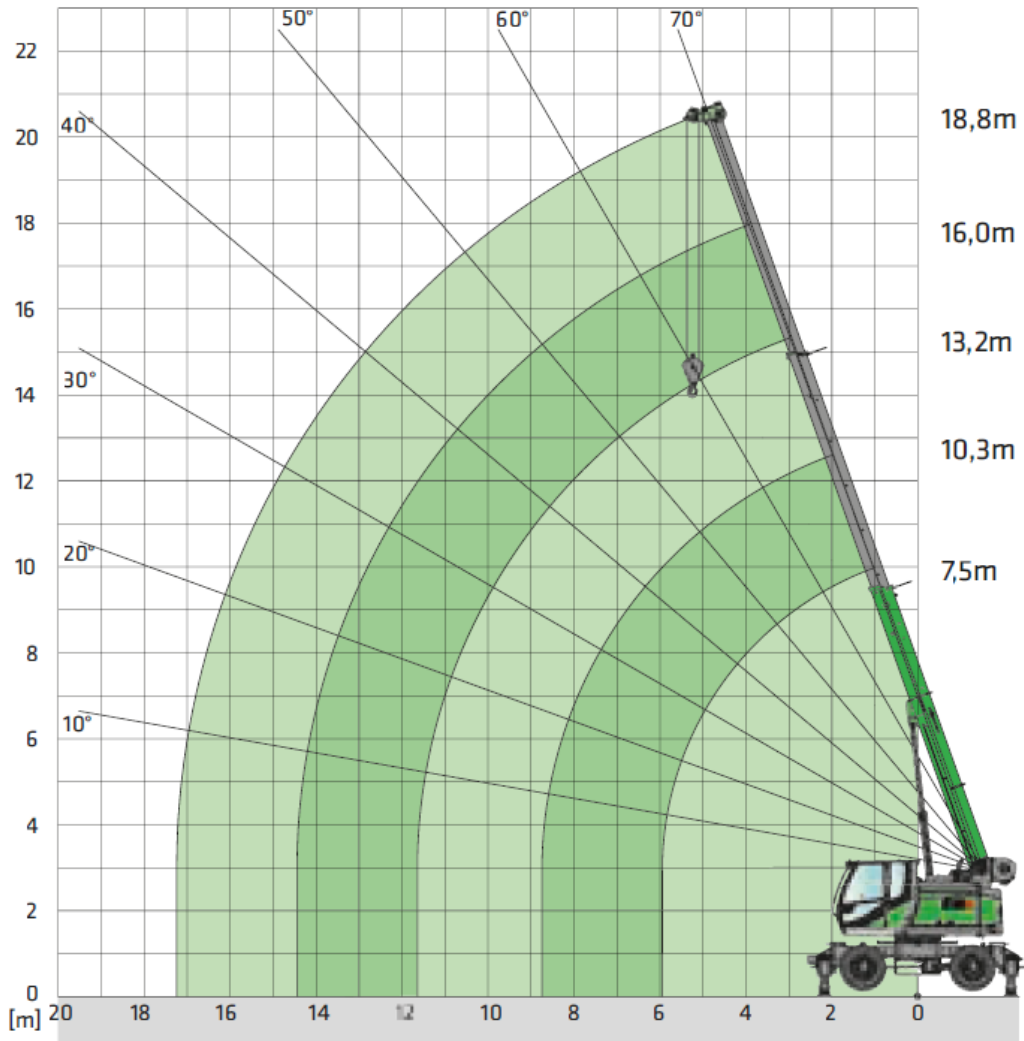
MULTICAB

Tier IV emission standards

613E



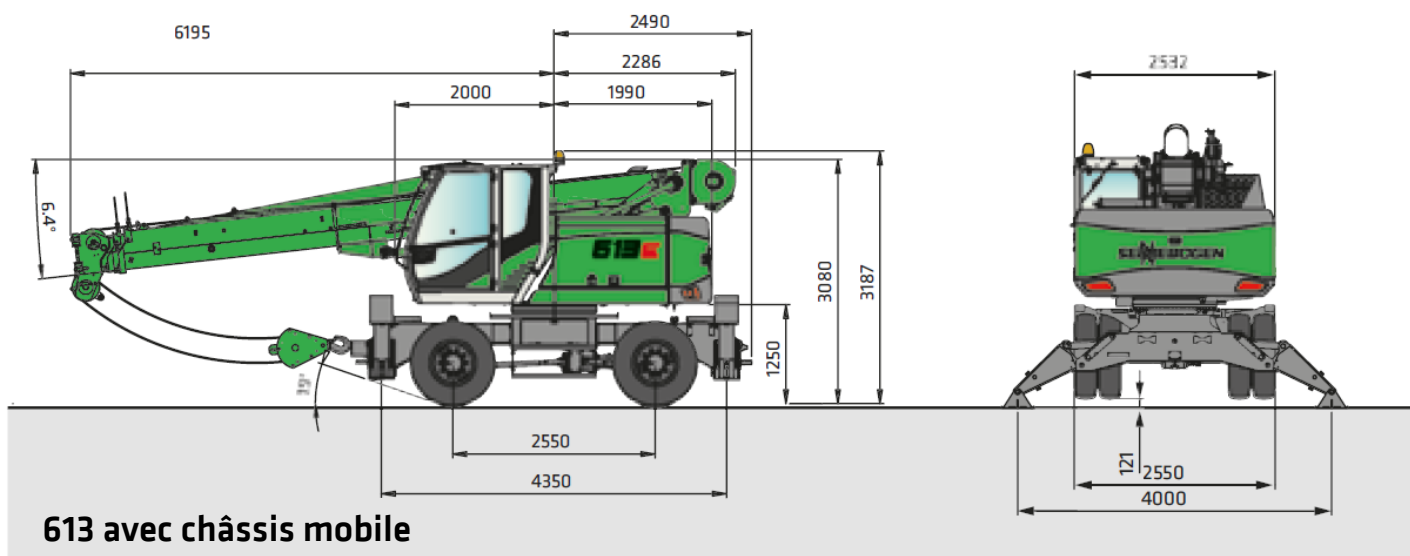
Flèche principale 18,8 m



Flèche principale 18,8 m

Portée (m)	Longueur de flèche (m)				
	7.5	10.3	13.2	16	18.8
2.0	15.0 (12.0)				
3.0	13.3 (8.3)	10.0 (8.4)			
4.0	10.6 (5.3)	10.0 (5.3)	8.0 (5.4)		
5.0	8.5 (3.7)	8.6 (3.8)	8.0 (3.8)	6.0 (3.9)	
5.5	7.5 (3.2)	7.6 (3.4)	7.4 (3.4)	6.0 (3.4)	4.5 (3.4)
6.0	5.7 (2.9) / 6.0 m	6.7 (2.9)	6.7 (2.9)	5.9 (2.9)	4.5 (2.9)
7.0		5.2 (2.3)	5.3 (2.3)	5.2 (2.3)	4.5 (2.3)
8.0		4.2 (1.8)	4.3 (1.8)	4.3 (1.8)	4.1 (1.9)
9.0		3.6 (1.5) / 8.8 m	3.5 (1.5)	3.6 (1.5)	3.6 (1.5)
10.0			3.0 (1.2)	3.0 (1.2)	3.0 (1.2)
11.0			2.6 (1.0)	2.6 (1.0)	2.6 (1.0)
12.0			2.4 (0.9) / 11.6 m	2.2 (0.8)	2.3 (0.8)
13.0				2.0 (0.7)	2.0 (0.7)
14.0				1.7 (0.6)	1.7 (0.6)
15.0				1.6 (-) / 14.4 m	1.5
16.0	Table no.: 613M18.8/75/2000/4.1/08.06, boom (deployed outriggers)				1.3
17.0	Table no.: 613M18.8/75/2000/4.1/08.06, boom (free-standing)				1.1 / 17.3 m

613E Dimensions de transport



Rayon de braquage

